
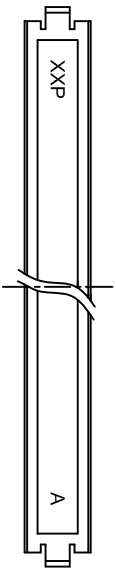
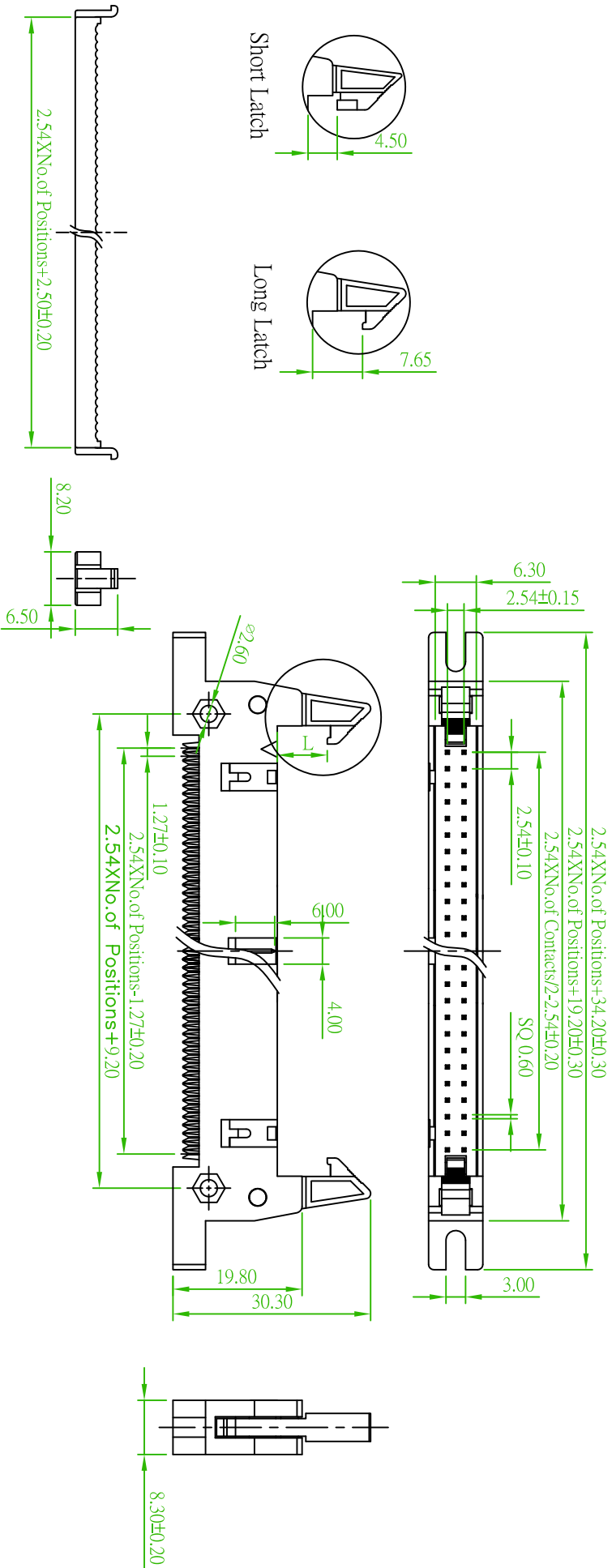
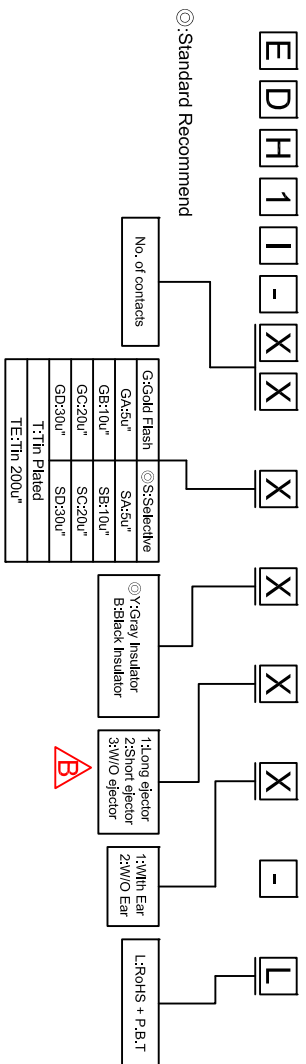



### Specifications

Current Rate: 3 AMP  
 Withstanding Voltage: AC 1000V for 1 Minute  
 Insulation Resistance: 1000M Min. at DC 500V  
 Contact Resistance: 20mΩ Max   
 Operating Temperature: -40°C~+105°C  
**Material**  
 Insulator: Polyester, UL 94V-0  
 ◎Standard: PBT+30% Glass Fiber (Meet UL94V-0).  
 Contact: Copper Alloy.  
 Contact Plated: Gold or Tin over Nickel Plated.

### ORDER INFORMATION



|   |      |   |            |
|---|------|---|------------|
| △ | C    | Revised the Contact Resistance: 15mΩ Max → 20mΩ Max | 2010/05/24 |
| △ | B    | Add options: 3:W/O ejector                          | 2010/02/23 |
| △ | REV. | DESCRIPTION   | DATE       |

|  |            |       |                                |          |       |            |
|--|------------|-------|--------------------------------|----------|-------|------------|
| <br>緯德精密有限公司<br>Amitek Technology Co., Ltd.<br>TEL: 886-2-268-8836<br>FAX: 886-2-268-8835 |            | 品名    | EJECTOR HEADER 2.54mm IDC TYPE |          | 日期    | 01/10/2008 |
|  |            | 品號    | EDH11-XX-L                     |          | 繪圖    | Kent       |
| 圖號   | EDH11-XX-L | 版本    | C                              | 核對       | Paul  |            |
| 客戶品號   |            | 比例    | FREE                           | 核對       |       |            |
| CUSTOMER P/N   |            | SCALE | FREE                           | CHECKED  |       |            |
| 公差   | .X ± 0.20  | 單位    | mm                             | 核准       | James |            |
| TOLERANCE  | .XX ± 0.10 | UNIT  | mm                             | APPROVED |       |            |